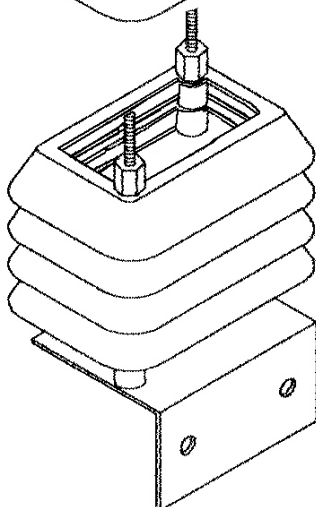
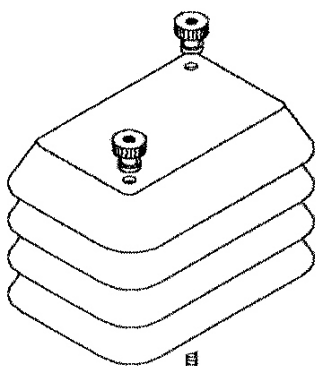
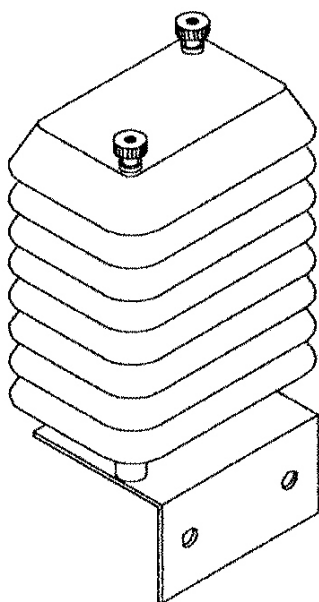




Radiation Shield

PRODUCT MANUAL

Item 3663A

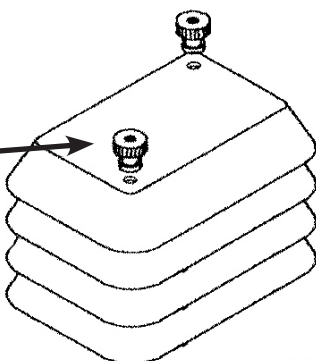


Spectrum[®]
Technologies, Inc.

Step 3

Tighten with fingers

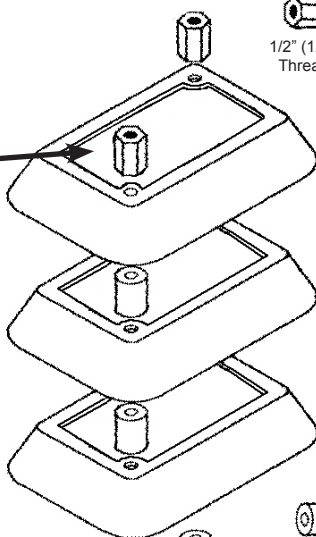
These shields are glued together at the factory and should not be separated.



1/2" (12mm)
Threaded

Tighten with pliers

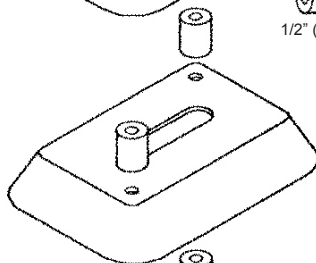
Step 2



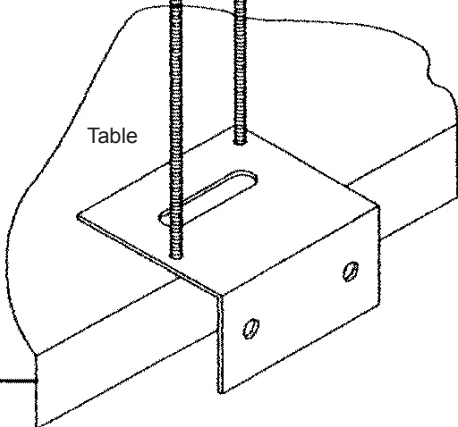
1/2" (12mm)

Step 1

Hint: Place this assembly on the edge of a table for the rest of the assembly process



7/8" (22mm)



Spectrum[®]
Technologies, Inc.

12360 S. Industrial Dr. E
Plainfield IL 60585
(800) 248-8873 or (815) 436-4440
Fax (815) 436-4460
E-Mail: info@specmeters.com
www.specmeters.com