

## **WARRANTY**

---

This product is warranted to be free from defects in material or workmanship for 1 year from the date of purchase. During the warranty period Spectrum will, at its option, either repair or replace products that prove to be defective. This warranty is void if the Spectrum products have been damaged by customer error or negligence or if there has been an unauthorized modification.

### **Returning Products to Spectrum**

Before returning a failed unit, you must obtain a Returned Goods Authorization (RGA) number from Spectrum. You must ship the product(s), properly packaged against further damage, back to Spectrum (at your expense) with the RGA number marked clearly on the outside of the package. Spectrum is not responsible for any package that is returned without a valid RGA number or for the loss of the package by any shipping company.

**Spectrum Technologies, Inc**  
**12360 S Industrial Dr. E**  
**Plainfield IL 60544**  
**(800) 248-8873 or (815) 436-4440**  
**Fax (815) 436-4460**  
**E-Mail: [SpecMeters@aol.com](mailto:SpecMeters@aol.com)**  
**[www.specmeters.com](http://www.specmeters.com)**

# **1 / 100TH INCH RAIN GAUGE**

---

**CATALOG # 3665I**

---



***Spectrum***  
***Technologies, Inc.***

## THANK YOU

Thank you for purchasing a rain gauge to use with your WatchDog Data Logger. This manual will help place and mount the rain gauge. Read it thoroughly to insure proper and effective use.

This rain collector measures rainfall in 1/100th inch increments. The continuous flow design allows it to be very accurate and reliable. The rain collector will be accurate to  $\pm 4\%$ .

The rain gauge includes a 6 foot cable which is plugged into port (channel) A on a Model 200, 225, 425, or 450 WatchDog Data Logger. Once the sensor is positioned in a representative "micro-climate", plug the cable into the WatchDog external channel to log rainfall data.

Use **SpecWare** software to program the WatchDog to log rainfall. Refer to the **SpecWare Instruction Manual** for detailed launch and/or readout instructions.

When choosing a location for your rain collector keep the following in mind:

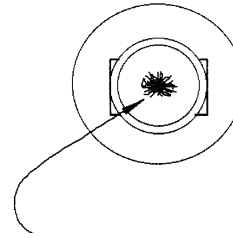
- Attach the collector on a pipe using the provided wire ties. Make sure the collector is level on the mast.
- Choose a location which is easily accessible for normal cleaning and is distant from trees and other sources of pollen or debris.

Inspect the sensors frequently to make certain the sensors are still level and clear of obstructions.

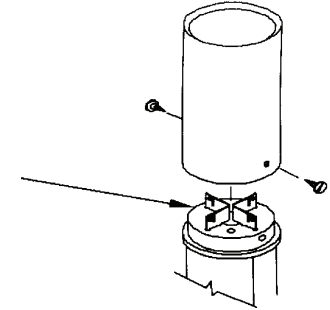
WatchDog Data  
Logger inside mini-  
radiation shield



## MAINTENANCE

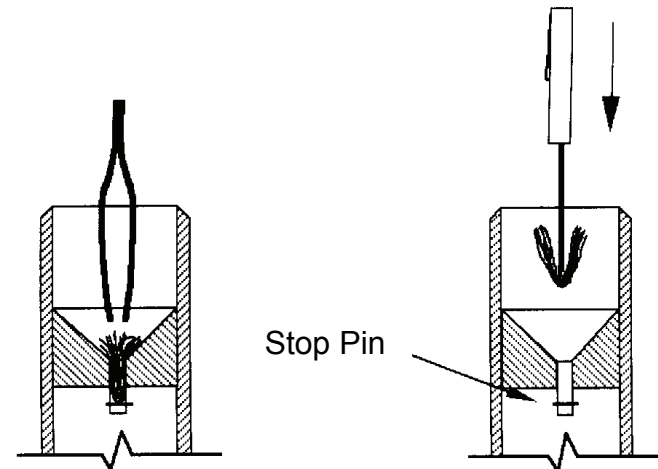


**Important!!!**  
**Fiber Filter** is important to gauge operation. It should not be removed. This filter keeps the gauge clean and insures accurate measurement.



Make sure that the drip contacts are free from dirt. Clean out the collection area from any debris.

The filter should only be replaced if it becomes plugged. This will result in very slow recording of heavy rain. Typically replacement is required every 2 years.



Remove the old filter with tweezers or pliers. Gently pull it straight out of the gauge without allowing dirt to fall in. Wrap the new filter element around the tip of a small screwdriver as shown above. Gently work the filter into the gauge by pressing down and twisting. The filter should be inserted to the depth of the stop pin (as shown above).