

SOIL

SAMPLERS

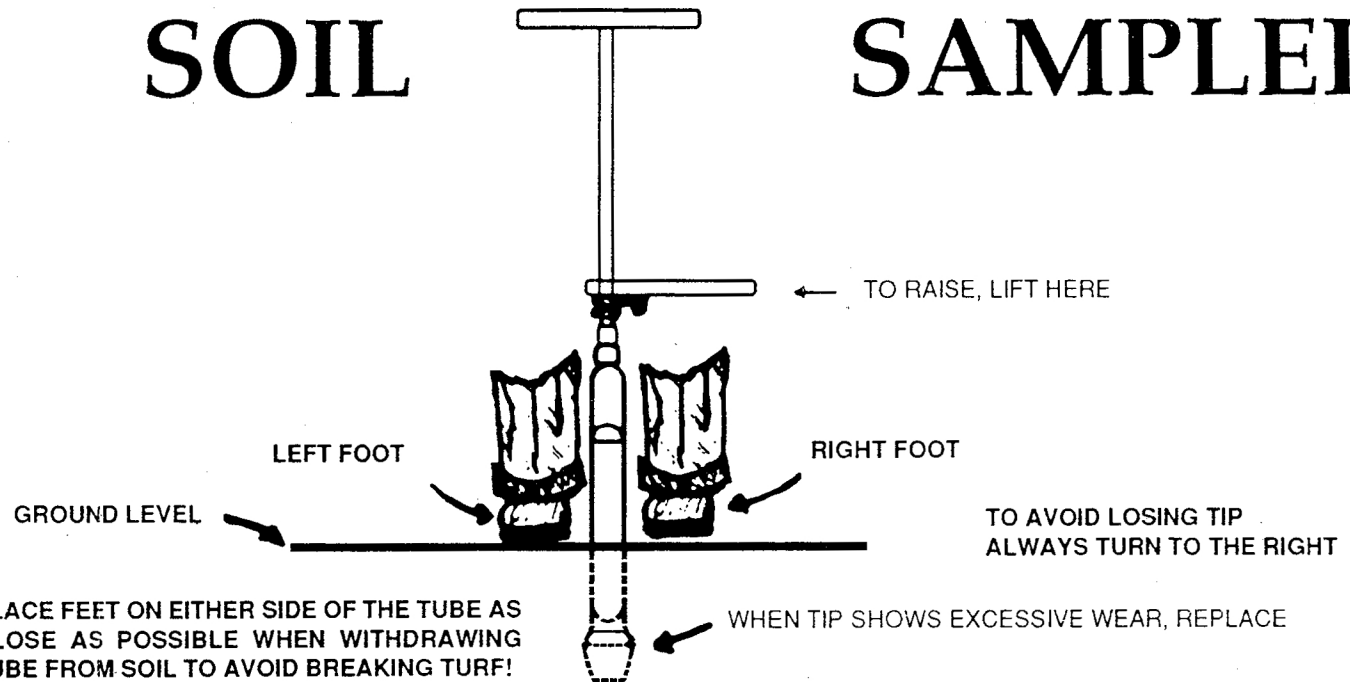
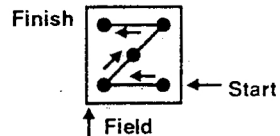
THREADED SOIL TIPS:

- S-1 1 Notch - for Dry Soil
- S-2 2 Notches - for Moist Soil
- S-3 3 Notches - for Wet Soil
- S-4 4 Notches - for Heavy Duty -
and for Wet and Stony Soil

(Notches are on the threaded end)

**TO AVOID LOSING TIP
ALWAYS TURN TO THE RIGHT**

Sample the easy way.
Use the Z formation.



FOR A TEST, USE THE BEST

HELPFUL HINTS ON HOW TO GET THE BEST RESULTS FROM YOUR SOIL SAMPLING TUBE

PLEASE NOTE: To keep tube from plugging, never use sampler in loose soil. Always firm-up the soil first by stamping your foot down on the area to be sampled. This rule applies to all types of samplers used.

With tube in upright position, force into soil about six inches, being careful not to have soil tube deeper than about 1" from the top of the cut out portion of the tube. Going deeper will compress the soil in the tube and it will be difficult to remove. Twist to the right only to break off core. remove tube slowly from the soil by turning to right. If you do this, the tube will come out of the ground without breaking soil or turf, and you will have a perfect soil sample. Remove soil through cut out portion of the tube. The wetter the soil, the more closely these instructions must be followed.

To determine how deep you are, check the markings on the tube. Do not exceed the six inch mark on each sample. Be sure to empty tube after each 6" mark.

Use the footjack when the sampler is hard to push by hand into the soil. Raise the footjack above the ground the depth you want to push the sampler into the soil. Remove and repeat if you wish to go deeper. If coupling has been reached with footjack, disassemble extension rods and assemble the footjack onto the next rod. You can keep on doing this until you no longer can step the tube into the soil. Now is the time to use the soil auger.

REMEMBER AN ACCURATE SOIL TEST IS A CLEAN SAMPLE - USE BRUSH AFTER EACH LOCATION.

DO NOT TRY TO REMOVE SOIL SAMPLE THROUGH TIP END

For further information on our complete line of Soil Samplers and equipment, please send for our brochure.

(see other side) A

HOW TO USE:

Model K

Scrape soil clean of debris with your toe. Place tube in clean spot and step on foot-step forcing probe the desired depth. Twist probe to right only to break off core and continue twisting to the right with an elliptical motion to enlarge hole, then remove probe from soil.

To remove soil from probe grasp tube and stand probe upright on handle. Place probe over container to catch sample. Press soil at tip end. Sample will fall out. If it does not fall out, hold upright and tap handle on ground. Clean tube with brush between locations.

SPECTRUM TECHNOLOGIES, INC.

12360 S. INDUSTRIAL DR. EAST

PLAINFIELD, IL 60585

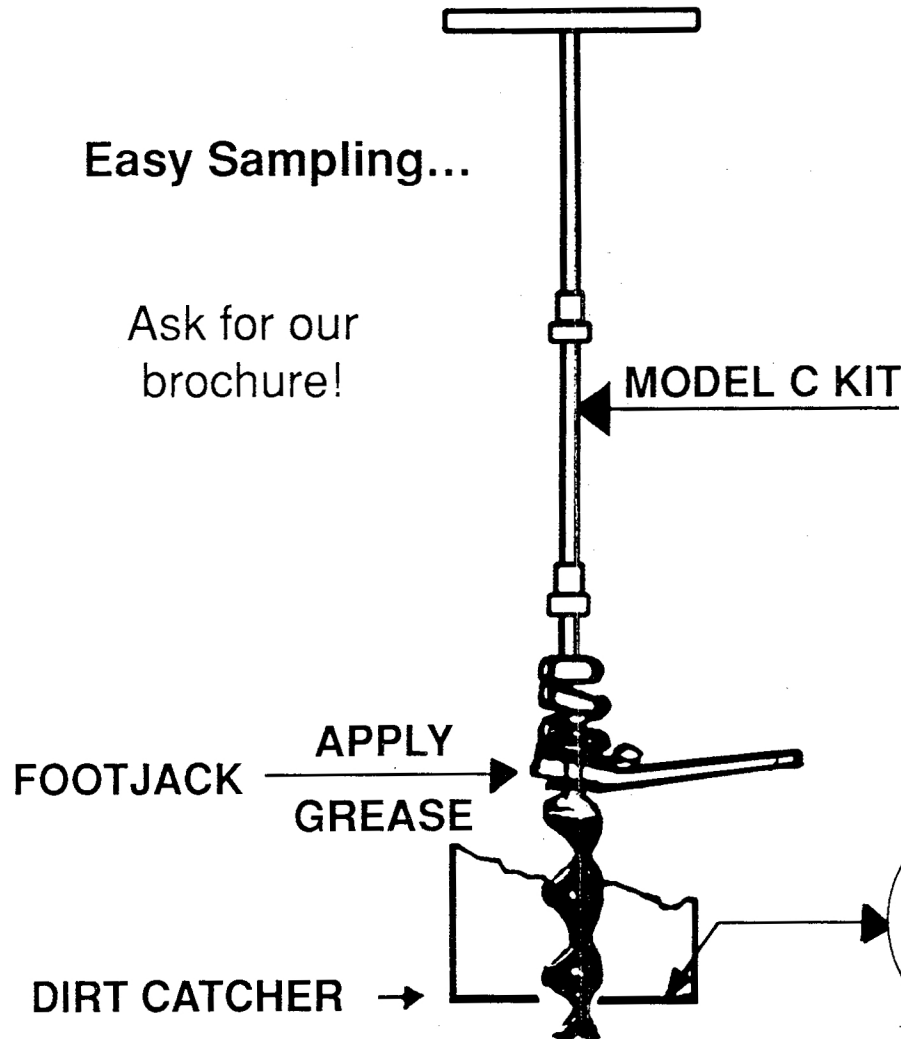
800-248-8873*815-436-4440

FAX 815-436-4460

INSTRUCTIONS ON HOW TO USE SOIL AUGER

Easy Sampling...

Ask for our
brochure!



FOR HARD SOIL - To start auger, hold shaft upright, place foot on footjack and turn right. This will make a depression in soil. Now proceed per instruction below.

Place catcher on ground. Insert auger thru hole. Hold handle upright and place arch of foot on jack. Apply pressure while turning handle until drill has reached a depth of approximately 1", or is well started. Now a minimum amount of pressure should be applied to keep drill cutting until the full length of the auger is buried into soil, or until auger breaks through frost. Release pressure and make one complete turn and sharply withdraw auger from the soil. This will remove bulk of soil from hole.

FOR FROZEN SOIL - Same instructions as above. Use carbide tipped augers for best results.

FOR SAND - Use catcher and proceed as per instructions for soft soil.

FOR SOFT SOIL - DO NOT USE FOOTJACK. Use of catcher is optional. For easy operation, follow these instructions. Start drill one or two turns. Stop and pull up slightly to break drill loose from soil. Then turn one half turn and repeat above. To obtain a full auger, make about three turns and then pull auger and remove soil. To go deeper, proceed as above.

TOP VIEW OF DIRT CATCHER

**FOR SOIL CATCHER, USE
A 3 LB. COFFEE CAN. CUT
BOTTOM WITH KNIFE,
SHOVE AUGER THRU FROM
INSIDE OF CAN!**